

#### Part Number: 00602-30301-140

#### Section I – Installation Preparation

##### Kit Contents

| Item # | Quantity Req'd. | Description                   |
|--------|-----------------|-------------------------------|
| 1      | 1               | Shift lever assy              |
| 2      | 4               | Metal Bushings                |
| 3      | 1               | TRD Shift Knob                |
| 4      | 1 Sheet         | Shift Pattern Stickers        |
| 5      | 1               | TRD installation instructions |

##### Tools Required

|  |
|--|
| Interior molding remover tool                        |
| Adhesive Tape (masking tape or electrician's tape)   |
| Flat Blade Screwdriver                               |
| Basic Mechanic's hand tools incl. Wrenches & Sockets |

#### Section II – Removal Procedure

1. Remove the shift knob. Turn counterclockwise to unscrew (Figure 1).
2. Remove shift lever housing. Be sure to tape the molding remover tool before use, to avoid damage to any of the trim pieces. (Figure 2) Using the molding remover tool to disengage the 2 claws at <A>, then the 2 claws at <B> and then the 2 claws at <C> (Figure 2).
3. Remove the wiring clamp, and console panel assembly (Figure 3).

#### General Applicability

Scion tC with manual transmission

#### Notes and Recommendations

1. Be sure to read through entire instruction set before starting. A thorough understanding of the procedures and the proper order will make installation easier and quicker.



Figure 1

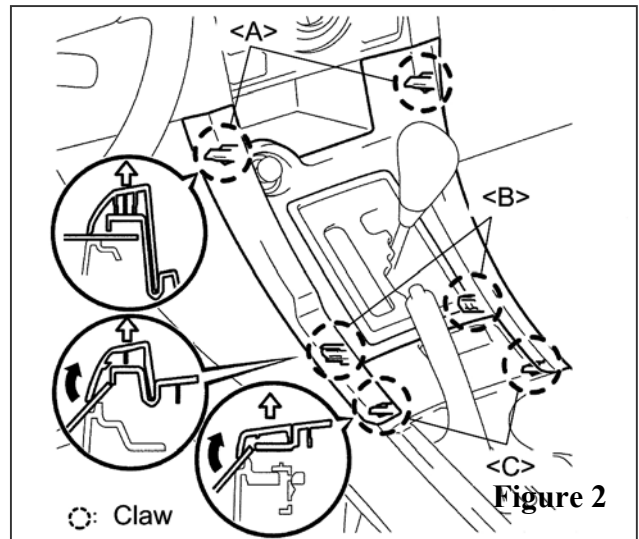


Figure 2

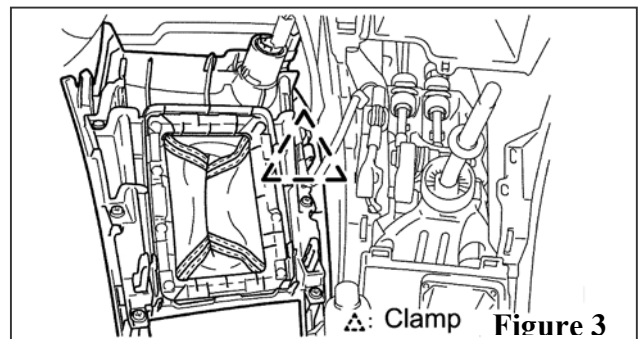
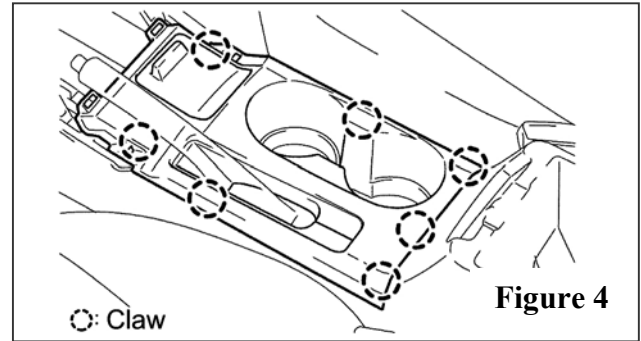


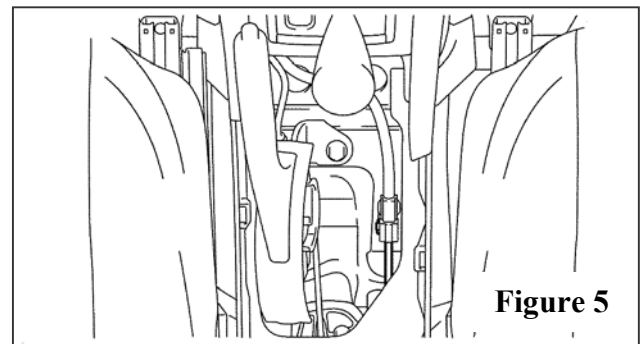
Figure 3

### QUICKSHIFTER

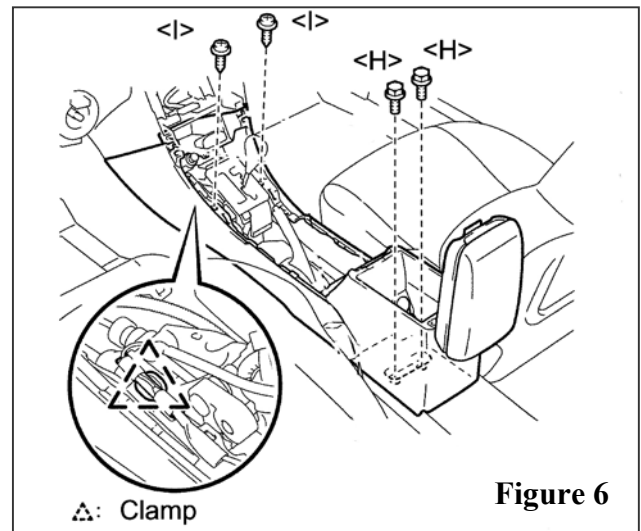
4. Disengage the 7 claws and remove the cup holder trim piece surrounding the parking brake lever (Figure 4).



5. Disconnect the connector (Figure 5).
6. Remove the console box carpet (Figure 5).

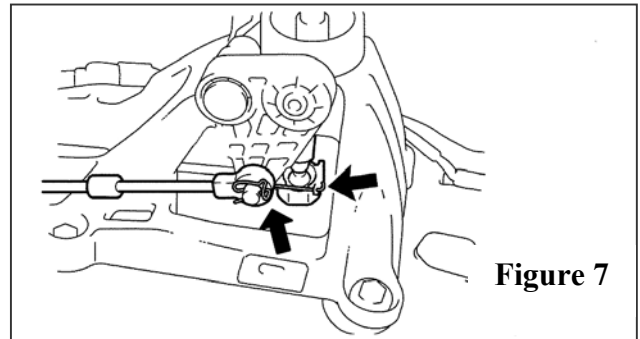


7. Remove the 2 screws <I> (Figure 6).
8. Remove the 2 bolts <H> (Figure 6).

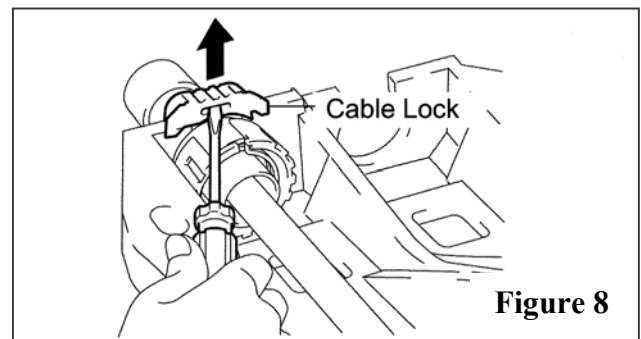


**QUICKSHIFTER**

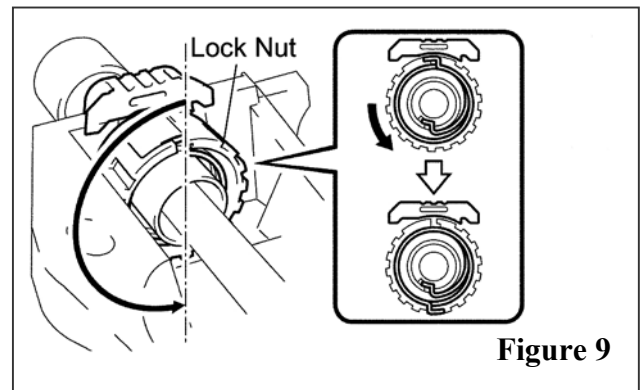
9. Remove the 2 clips from the shifter assembly (Figure 7). Separate the cable ends from the shifter assembly.



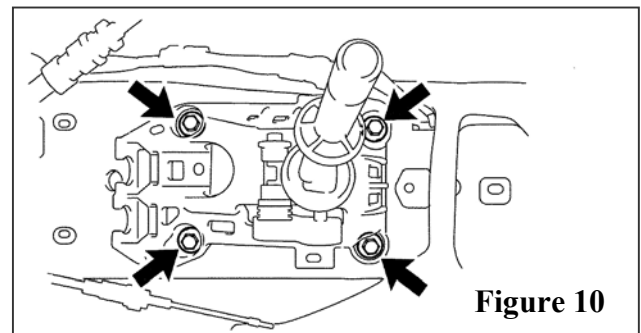
10. Release the cable locks from the shift cable with a flat blade screwdriver (Figure 8). Retain them for reinstallation.



11. Turn the lock nuts 180 degrees counterclockwise, and hold them in place while removing the shift cables (Figure 9).



12. Remove the 4 bolts that hold the shift lever to the body (Figure 10).



### QUICKSHIFTER

#### Section III – Installation Procedure

1. Place the 4 metal TRD bushings into the bottom side of the 4 mounting holes of the TRD shift lever assembly (Figure 11). In other words the 4 metal TRD bushings should be sandwiched in between the plastic housing and the vehicle mounting holes. Now drop assembly into place and install the four bolts (Figure 12).

**NOTE: Torque to 12 N-m (9 ft-lbs)**

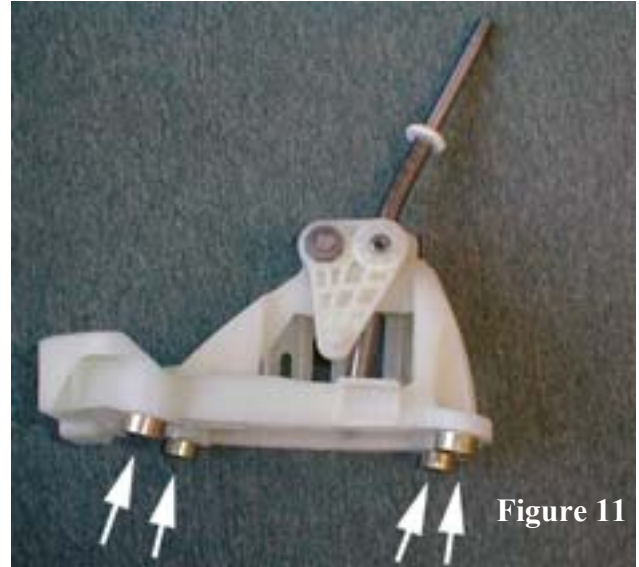


Figure 11

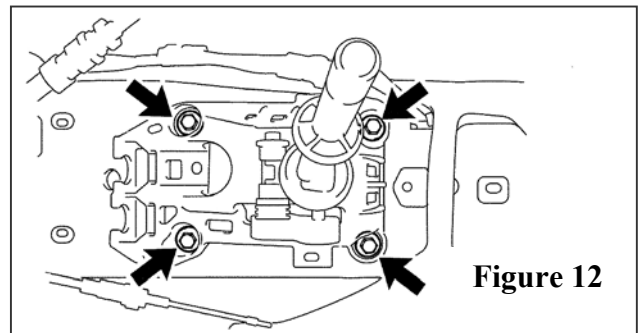


Figure 12

2. Connect transmission control cable assembly by connecting the ends of the transmission cables. Install the 2 OE clips (Figure 13).

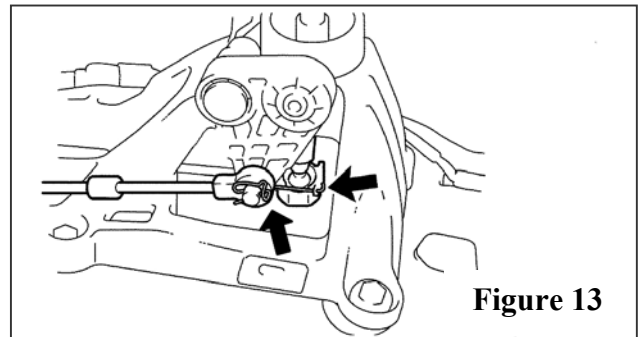


Figure 13

3. Turn the lock nuts of the shift cable 270 degrees counterclockwise, and hold them in place. Install the cables while holding the lock nuts. Ensure that the cables are seated properly (Figure 14).

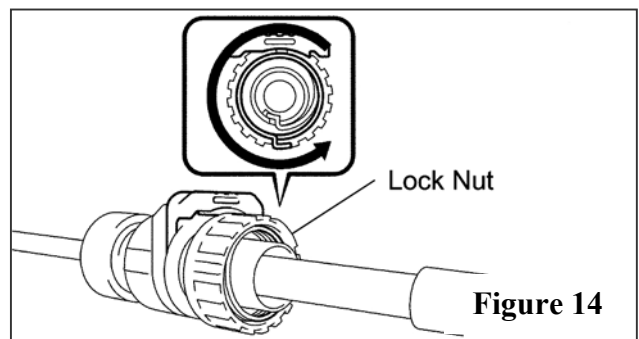
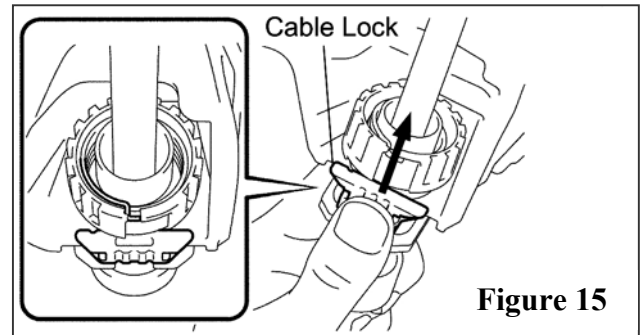


Figure 14

4. Push in the cable locks of both shift cables (Figure 15).



5. Replace the center console and reinstall the bolts and screws removed in Step 8 of the Removal Procedure on Page 2 (Figure 6).
6. Replace the console box carpet and reconnect the connector (Figure 5)
7. Replace the console assembly and press the 7 claws back in place (Figure 4)
8. Replace the clamp removed in Step 3 of the Removal Procedure on Page 1 (Figure 3). Be sure to reconnect the connector.
9. Reinstall the shift cover console (Figure 2)
10. Install the TRD shift knob. Test drive vehicle. Ensure that the shifter functions properly and smoothly.